

JCRm 1A-EP1

Self-priming "JET" pump

 Clean water

 Domestic use



PERFORMANCE RANGE

- Flow rate up to **60 l/min** (3.6 m³/h)
- Head up to **48 m**

APPLICATION LIMITS

- Liquid temperature between **-10 °C** and **+40 °C**
- Ambient temperature up to **+40 °C**
- Max. working pressure **6 bar**
- Continuous service **S1**

CONSTRUCTION AND SAFETY STANDARDS

EN 60335-1
IEC 60335-1
CEI 61-150

EN 60034-1
IEC 60034-1
CEI 2-3



CERTIFICATIONS

Company with management system certified DNV
ISO 9001: QUALITY
ISO 14001: ENVIRONMENT AND SAFETY



INSTALLATION AND USE

Suitable for use with clean water and with liquids that are not chemically aggressive towards the materials from which the pump is made. The self-priming JCRm 1A-EP1 pump is designed to pump water even in cases where air is present. Because of their reliability and the fact that they are easy to use, they are recommended for use in domestic applications such as the distribution of water in combination with small or medium sized pressure tanks, and for the irrigation of gardens and orchards, etc. The pump should be installed in an enclosed environment or sheltered from inclement weather.

PATENTS - TRADE MARKS - MODELS

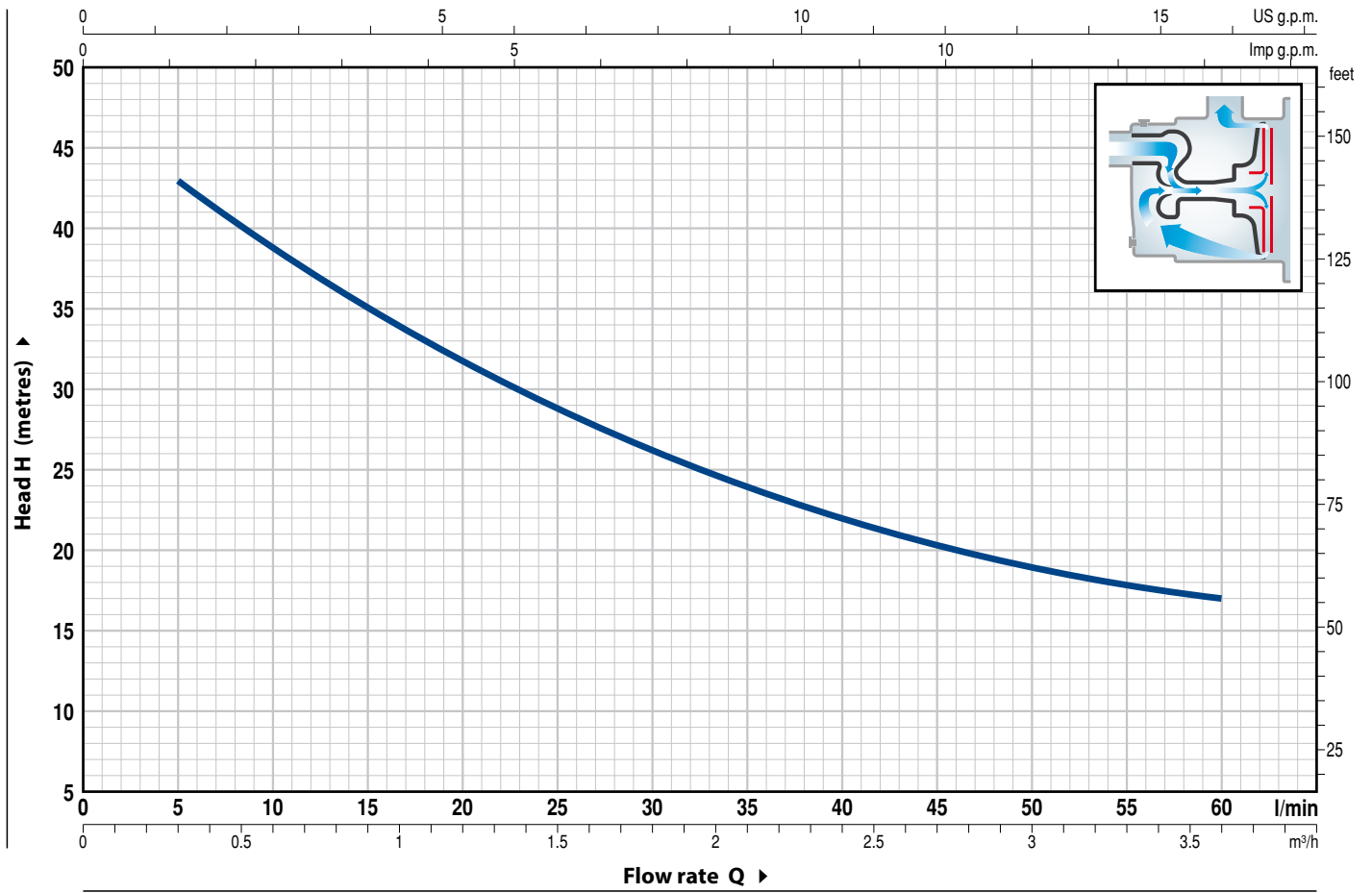
- European Patent n. 1 510 696

OPTIONS AVAILABLE ON REQUEST

- Other voltages or 60 Hz frequency

CHARACTERISTIC CURVES AND PERFORMANCE DATA

50 Hz n= 2900 rpm HS= 0 m

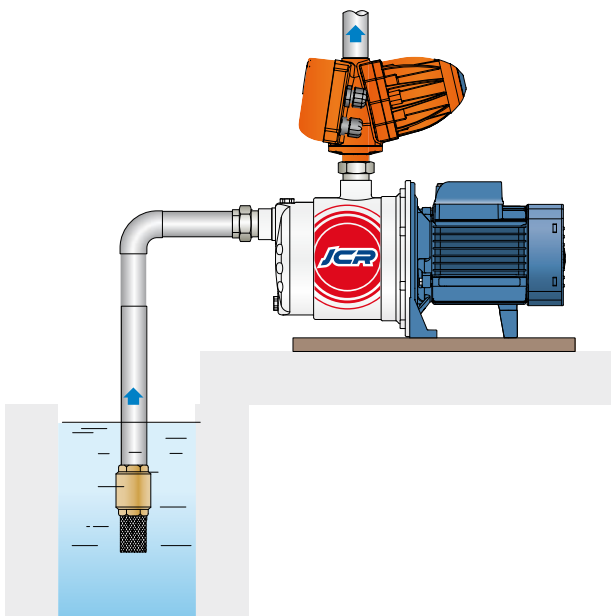


MODEL	POWER (P ₂)		Q	0	0.3	0.6	1.2	1.5	1.8	2.4	2.7	3.0	3.6
	kW	HP		0	5	10	20	25	30	40	45	50	60
JCRm 1A -EP1	0.55	0.75		48	43	39	31.5	28.5	26	22	20.5	19	17

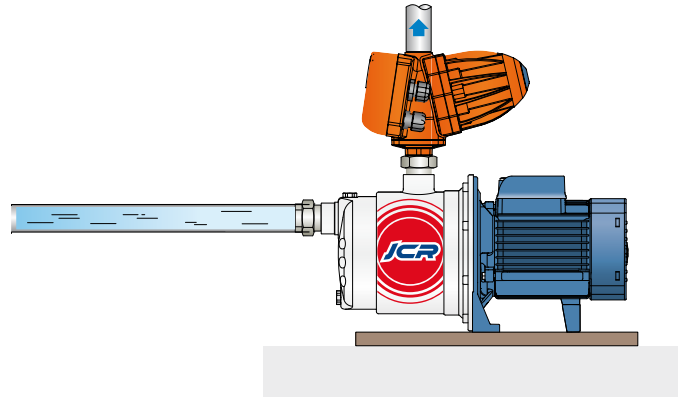
Q = Flow rate H = Total manometric head HS = Suction height

Tolerance of characteristic curves in compliance with EN ISO 9906 Grade 3B.

SUCTION LIFT INSTALLATION

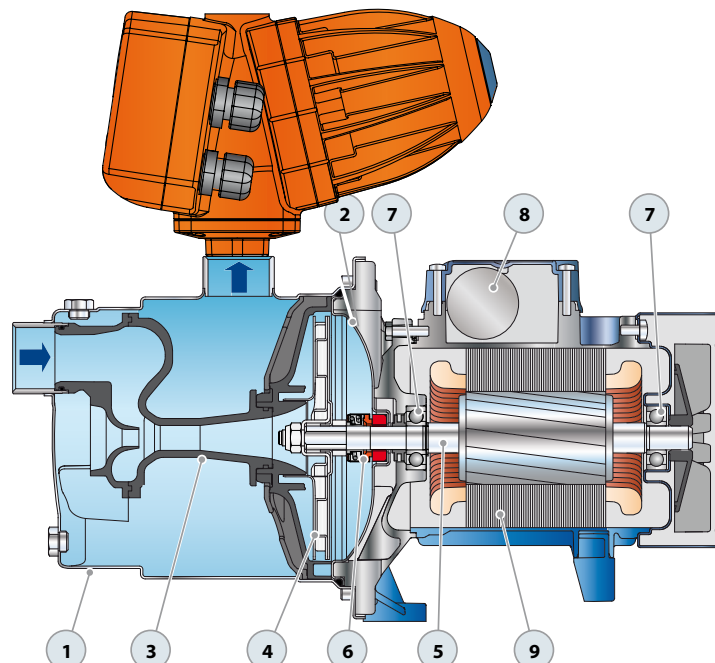


FLOODED SUCTION INSTALLATION

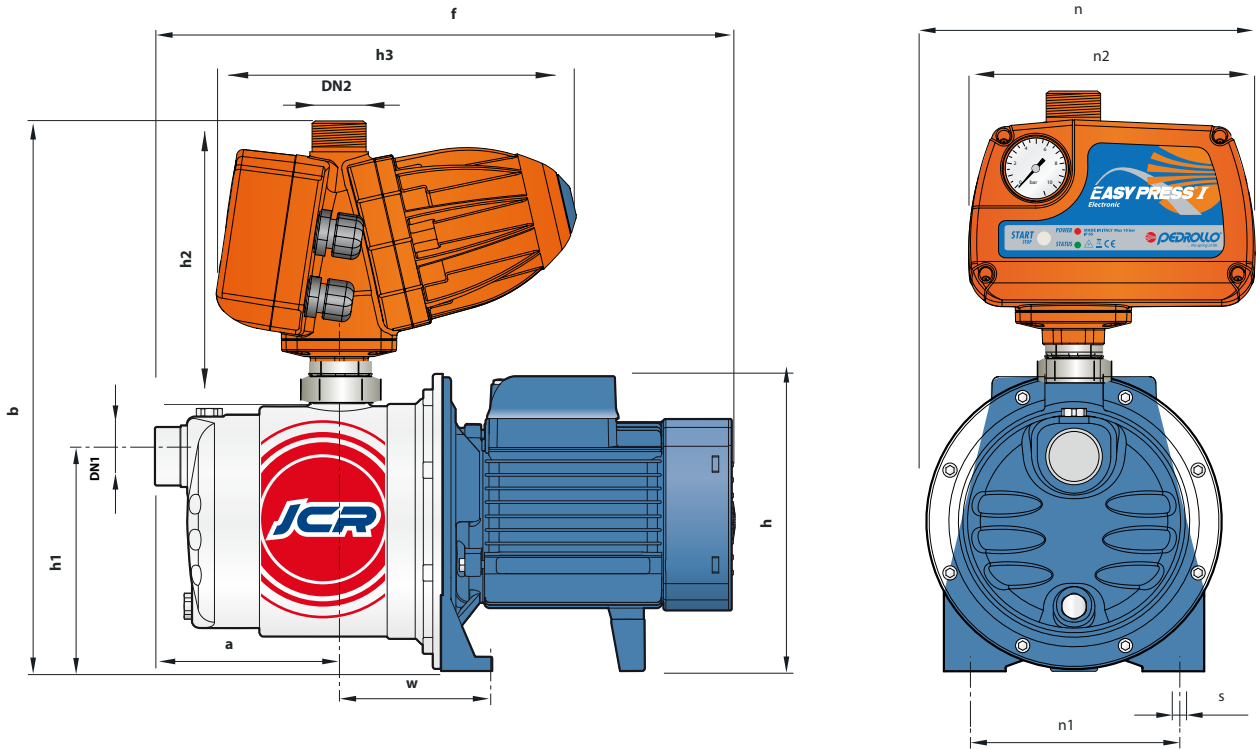


POS. COMPONENT CONSTRUCTION CHARACTERISTICS

1 PUMP BODY	Stainless steel AISI 304 complete with threaded ports in compliance with ISO 228/1				
2 BODY BACKPLATE	Stainless steel AISI 304				
3 NOZZLE ASSEMBLY	Noryl FE1520PW				
4 IMPELLER	Stainless steel AISI 304				
5 MOTOR SHAFT	Stainless steel EN 10088-3 - 1.4104				
6 MECHANICAL SEAL	<i>Seal Model</i>	<i>Shaft Diameter</i>	<i>Stationary ring</i>	<i>Materials Rotational ring</i>	<i>Elastomer</i>
	AR-12	Ø 12 mm	Ceramic	Graphite	NBR
7 BEARINGS	6201 ZZ / 6201 ZZ				
8 CAPACITOR	<i>Pump Single-phase</i>	<i>Capacitance (230 V or 240 V)</i>	<i>(110 V)</i>		
	JCRm 1A-EP1	14 µF - 450 VL	25 µF - 250 VL		
9 ELECTRIC MOTOR	Single-phase 240 V - 50 Hz with thermal overload protector incorporated into the winding. – Insulation: class F – Protection: IP X4				



DIMENSIONS AND WEIGHT



MODEL	PORTS		DIMENSIONS mm											kg	
	DN1	DN2	a	f	h	h1	h2	h3	n	n1	n2	s	b		w
Single-phase	1"	1"													1~
JCRm-1A-EP1	1"	1"	113	361	182	132	174	221	182	120	174	9	339	87	7.1

ABSORPTION

MODEL	VOLTAGE		
	Single-phase	230 V	240 V
JCRm-1A-EP1	3.9 A	3.8 A	7.3 A